

$$P = F/S$$

✓ **Applications**

This primary standard Range are designed to test, adjust and calibrate measuring instruments, mechanical or electronic pressure by comparison (pressure gauges, pressure transmitters or sensors or switches)

The dead weight tester consist of a pressure generator connected to a compressed air source, a piston/cylinder unit, a set of weigh identified. The capstan can adjust the pressure by the gas through the piston. This pressure is balanced by the piston / cylinder which compares the instrument to calibrate the values of pressures generated by the standard.

This reference instrument are used in factory or calibration laboratory. They are robust and easy to use and have a high long-term stability.

✓ **Technical specifications of the range BA2**

- <b>Calibration :</b>	Our dead weight tester are calibrated under the following conditions of use : Temperature 20°C - Pressure atmos. 1013.25 hPa - Humidity 50% - acceleration 9.80665 m/s <sup>2</sup> In case you don't use it under the conditions mentioned above, it is necessary to recalculate the pressure generated by the dead weight according to the different variables.
- <b>Source Pressure :</b>	Dry air - gas connection ¼ cylindrical female - This balance needs to be connected to a pressure source.
- <b>Check/adjust the seat :</b>	leveling bubble and adjustable feet
- <b>Connecting for the instrument to be tested :</b>	swivel G1/2 standard – other optional fittings
- <b>Rotating weigh :</b>	Training masses : manual rotation
- <b>Crankcase :</b>	Light alloy aluminium AG3 + high-resistance paint
- <b>Capstan :</b>	removable for transport
- <b>Piston/cylinder :</b>	Single piston treated steel or stainless steel + hard chrome - <b>Répeatability</b> : 3.10 <sup>-5</sup> - <b>Sensitivity</b> : 1.10 <sup>-5</sup> - <b>Precision dead weight</b> : 10 <sup>-4</sup>
- <b>Weight :</b>	non magnetic stainless steel – <b>Total weight</b> of the set of weights from 4 kg to 48 kg depending on model –Ergonomic shape of the masses, easy loading of the masses on the bell - <b>Marking</b> corresponding with the measuring unit choose (bar, mbar, KPa, PSI etc..) <b>Gravity</b> : standard (9.80665 m/s <sup>2</sup> ) or local gravity without supplement
- <b>Operating temperature:</b>	18 to 28°C – 64 to 82°F

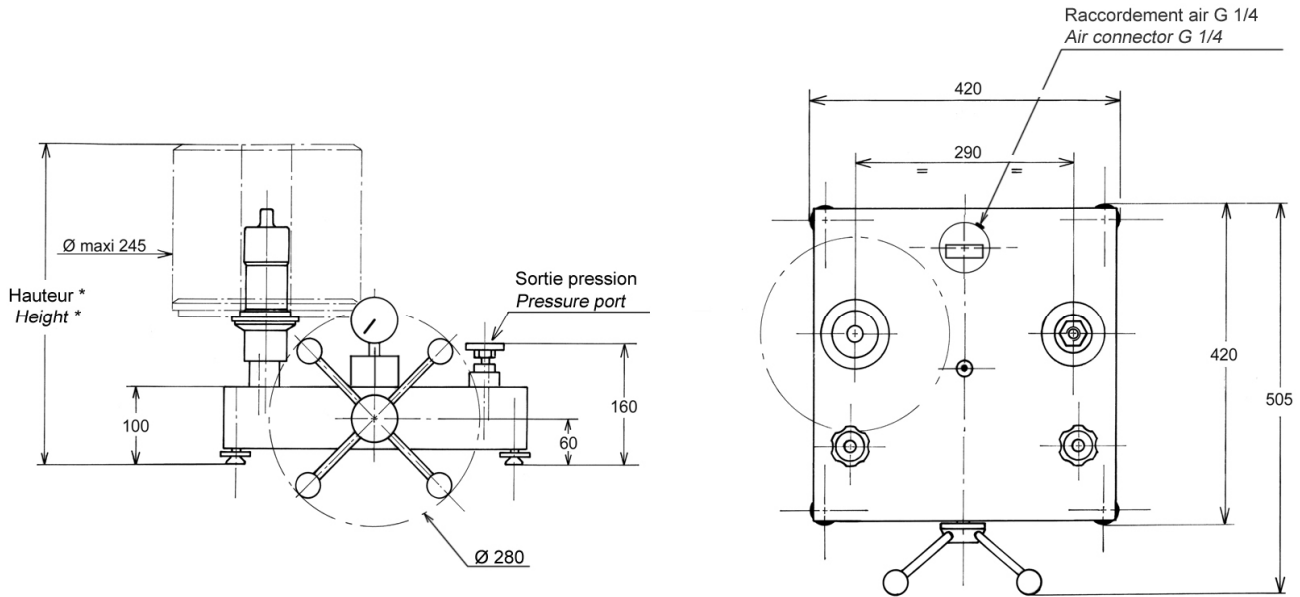
✓ **Technical product specifications**

- <b>Model :</b>	BA2-10B – dead weight single piston
- <b>Measuring range :</b>	0.15 to 10 bar / 2.5 to 150 PSI / 15 to 1000 kPa
- <b>Uncertainly of the pressure measured by the DWT :</b>	0.0001 + (1.10 <sup>-4</sup> x P) (with P in bar)
- <b>Accuracy :</b>	0.01% of the scale / <b>option</b> : 0.007% with certificate COFRAC or DKD
- <b>Weight dead weight without weight :</b>	22 kg
- <b>Base generator :</b>	CA2-200B
- <b>Typical cross-section of the piston :</b>	156.960 mm <sup>2</sup>
- <b>Material Piston/Cylinder :</b>	P = stainless steel + hard chrome / C = treated steel
- <b>Number of piston :</b>	1

✓ **Various**

- **Delivery details** : a manual are provided in English or French with the device + a factory calibration certificate traceable to the national standards + data sheet +Certificate
- **Maintenance** : Our technical service department is at your disposition for the revision, calibration or service your unit – Calibration device recommended every 2 or 5 years depending on your use

✓ **Dimensions of device**



Height with standard set of weight :: (bar, kPa) : 371 mm (PSI) : 330 mm

Unit used : mm

✓ **Standard weight sets and intermediate**

Standard set			
	Pressure (bar)	Total weight	Typical value (g)
<b>Unit : BAR or Kg/cm<sup>2</sup></b> (Ref. MB0006)	2	3	3200
	1	2	1600
	0.85	1	1360
	0.5	1	800
	0.2	2	320
	0.1	1	160
	0.05	1	80
	Initial Pressure bell + weight adaptation	0.15	
<b>TOTAL</b>	<b>10.05</b>	<b>11</b>	<b>±16 kg</b>

Intermediate set			
BAR	Pressure (bar)	Total weight	Typical value (g)
(Ref. MB0007)	0.025	1	40
	0.01	2	16
	0.005	1	8
<b>TOTAL</b>	<b>0.05</b>	<b>4</b>	<b>80 g</b>

Standard set			
	Pressure (PSI)	Total weight	Typical value (g)
<b>Unit : PSI</b> (Ref. MB0017)	50	2	5500
	20	2	2200
	10	1	1100
	7.5	1	825
	5	1	550
	2	2	220
	1	1	110
	0.5	1	55
Initial Pressure bell			
<b>TOTAL</b>	<b>3002.5</b>	<b>11</b>	<b>±19 kg</b>

Intermediate set			
PSI	Pressure (PSI)	Total weight	Typical value (g)
	0.2	2	22
	0.1	1	11
	0.05	1	5.5
<b>TOTAL</b>	<b>0.55</b>	<b>4</b>	<b>60.5 g</b>

Standard set			
	Pressure (kPa)	Total weight	Typical value (g)
<b>Unit : kPa</b>	200	3	3200
	100	2	1600
	85	1	1280
	50	1	800
	20	2	320
	10	1	160
	5	1	80
	Initial Pressure bell + weight adaptation	15	
<b>TOTAL</b>	<b>1005</b>	<b>11</b>	<b>±16 kg</b>

Intermediate set			
kPa	Pressure (kPa)	Total weight	Typical value (g)
	2.5	1	40
	1	2	16
	0.5	1	8
<b>TOTAL</b>	<b>5</b>	<b>4</b>	<b>80 g</b>

Other units are available on request

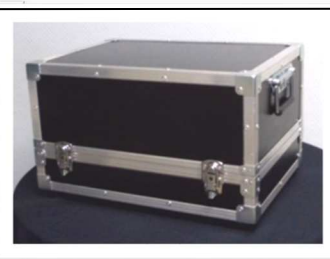
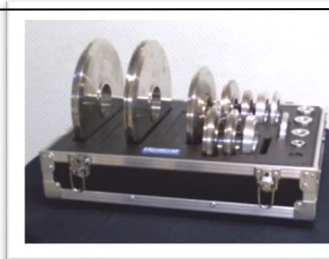
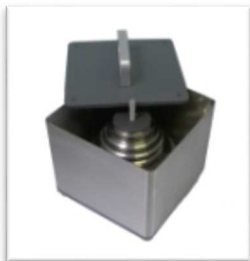
✓ **Options of the dead weight tester**

---

- intermediate weight set or Standard weight set additional for different units
- Calibration of the instrument : Points statement AREMECA or certificate of calibration DAkkS or COFRAC
- Kit Motorization (driving of masses in rotation) / Visualization (position of the piston by indicator lights) (-> BA3)
- Calculator module with dynamic display of the piston position, automatic display of the pressures generated by the scale as a function of temperature, atmospheric pressure and hygrometry, with transfer of data to a computer for total traceability and calibration certificate edition. (-> BA4)

✓ **Options for weight set**

---



transport metal boxes

(OP0101) : 260 x 260 x 310 mm - weight empty : 6 kg

Suitcase for post planning and transportation

(OPxxxx) large : 355 x 505 x 310 mm - weight empty : 13 kg

+ (OPxxxx) small : 290 x 250 x 310 mm - weight empty : 5 kg

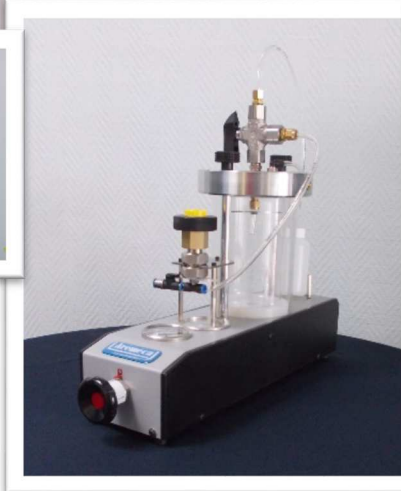
- **Suitcase for the dead weight (ref.OP0002) :**



✓ **Accessories** (Ask for our specific documentation)

---

- Accessory case (ref.OP0057)
- Setting gauge kit (ref.OP0125)
- Kit drain tank (ref.OP0025)
- Bench cleaning (ref.OP0062)
- Suitcase with pear + needle up (OP0228)



- **Connectors up to 1200 bar** : suitcase connectors M (ref.OP0174) – suitcase connectors G (ref.OP0171) - suitcase connectors NPT (ref.OP0172) - suitcase connectors BSP-TR (ref.OP0173) - suitcase with 17 connectors M + G + NPT + BSP-TR (ref.OP0037) – unit connector



✓ **Shipping and packaging**

- **Packaging** : woodpack is provided for the shipping

Designation/Reference	Dimension / carton or shipping crate	Weight empty / total weight (packaging + materiel)
<b>Dead weight without weight</b>	470 x 470 x 240 mm	Carton empty 1.5 kg Total weight ±20 kg
<b>Standard weight set</b>	300 x 300 x 170 mm	Carton empty 1.5 kg Total weight ± 18 kg
<b>Wood packaging</b> SB0002	790 x 480 x 340 mm	Suitcase empty 20 kg Total weight ± 58 kg (dead weight + weight set + packaging)



SB0002

- **Note** : shipping is extra.

✓ **Other models available in the range BA2**

(Datasheet is available on request or on our website : [www.aremeca-instrumentation.com](http://www.aremeca-instrumentation.com))

Models single piston

Models	Accuracy	Measuring range		
		Bar or kg/cm <sup>2</sup>	PSI	kPa
BA2-200B	10 <sup>-4</sup>	2.5 to 200	25 to 3000	250 to 20000
BA2-120B	10 <sup>-4</sup>	1 to 120	10 to 1600	100 to 12000
BA2-60B	10 <sup>-4</sup>	0.5 to 60	5 to 800	50 to 6000
BA2-1B	10 <sup>-4</sup>	15 mbar to 1 bar		1.5 to 100
BA2-1VB	10 <sup>-4</sup>	-15 mbar to -900 mbar		-1.5 to -90