



✓ **Applications**

The range of compressors is designed to test, adjust and calibrate measuring instruments mechanical or electronic pressure by comparison (pressure gauges, pressure transmitters or sensors or switches).

These pressure generators are equipped with a tank connected by a level visible to a variable volume valve. The capstan generates a pressure pushing the fluid through the variable volume compared to the connectors with instruments.

These compressors are designed for industry or laboratory. They are easy and robust.

✓ **Technical specifications of the range CEH**

- Fluid :	Mineral oil or synthetic oil depending on the model colorless compatible with medical or food uses
- Tank :	80 cm ³
- Volume de fluid expelled :	10 cm ³
- Check/adjust the seat :	nothing
- Connection for the instrument to be tested :	swivel G1/2 standard – other optional fittings
- Carter :	steel + high-resistance paint
- Capstan :	Removable for transport - moving axis
- Operating temperature:	18 to 28°C – 64 to 82°F

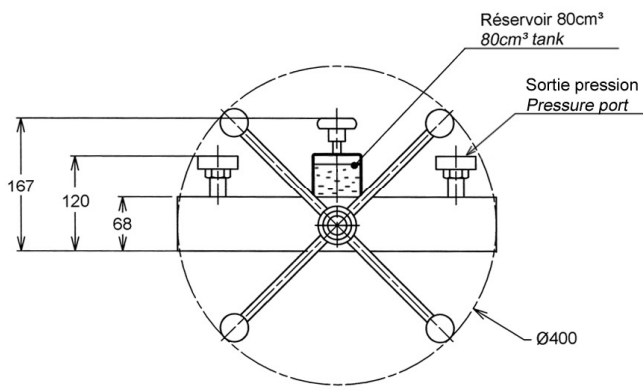
✓ **Technical product specifications**

- Model :	CEH-800B
- Measuring range :	0 to 800 bar / 0 to 12000 PSI / 0 to 80000 kPa
- Sensitivity :	10% Pmaxi = 0.2 bar / 50% Pmaxi = 0.5 bar / 100% Pmaxi = 1 bar
- Weight comparator :	7.5 kg
- Fluid :	Oil H32 - fluid density : 855 kg/m ³
- Section of piston :	1.8 cm ²
- Number of piston :	1
- Material Piston/Cylinder :	P = stainless steel / C = treated steel
- Piping :	stainless steel

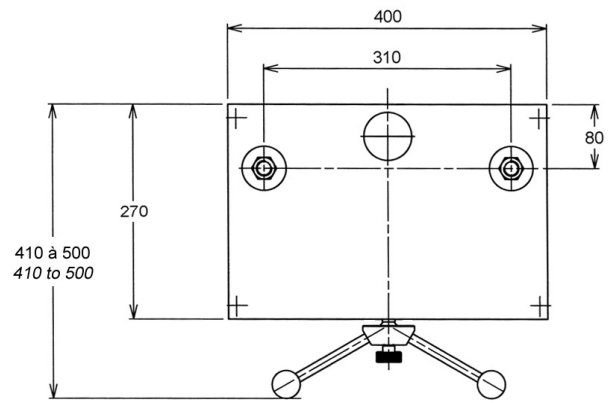
✓ **Divers**

- **Delivery details** : a manual are provided in English or French with the device + data sheet + Certificate + 0.5 liter of mineral Oil
- **Maintenance** : Our technical service department is at your disposition for the revision, calibration or after sales service your unit – Calibration device recommended every 2 or 5 years depending on your use.

✓ Dimensions of device



Standard height : 167 mm



Unit used : mm

✓ Options of the generator

- Pump hands with tank (Ref. OP0158)
- Oil H32 : 1 liter (ref.OP0032) or 5 liters (ref.OP0030)
- metal box for comparator (ref.OP0029)



✓ Accessories (ask us our specific documentation)

- Connectors up to 1200 bar : suitcase connectors M (ref.OP0174) – suitcase connectors G (ref.OP0171) - suitcase connectors NPT (ref.OP0172) - suitcase connectors BSP-TR (ref.OP0173) - suitcase with 17 connectors M + G + NPT + BSP-TR (ref.OP0037) – unit connector



- Accessory case (ref.OP0057)
- Setting gauge kit (ref.OP0125)
- Kit drain tank (ref.OP0025)
- Separator all fluids up to 800 bar (ref.OP0023)
- Bench cleaning (ref.OP0062)
- Suitcase with pear + needle up (OP0228)



✓ Transport and packaging

- **Packaging** : pack is provide for the shipping

Designation/Reference	Dimension / carton or shipping crate	Weight empty / total weight (packaging + device)
Comparator	470 x 470 x 240 mm	Carton empty 1.5 kg Total weight ±10 kg
packaging SB0004	480 x 480 x 340 mm	Box empty 10 kg Total weight ±20 kg (comparator + packaging)



SB0004

- **Note** : shipping and taxes are your responsibility - EX-Works Vendôme (France)

✓ Other models available in the range CEH

(Datasheet is available on request or on our website : www.aremeca-instrumentation.com)

Models	Accuracy	Measuring range		
		Bar or kg/cm ²	PSI	kPa
CEH-1250B	10 ⁻³	0 to 1250	0 to 20000	0 to 125000