



✓ Applications

The range of compressors is designed to test, adjust and calibrate measuring instruments mechanical or electronic pressure by comparison (pressure gauges, pressure transmitters or sensors or switches).

These generators are equipped with a pressure tank visible level, two valves connected by a set of two-stage variable volumes. The capstan can generate the pressure pushing the fluid through the variable volumes to fittings provided for receiving the pressure instruments comparing. These compressors are designed for calibration comparison.

They are sturdy and easy to use.

✓ Technical specifications

- Fluid :	water
- Tank :	80 cm ³
- Maximum volume of fluid expelled :	16 cm ³
- Check/adjust the seat ::	nothing
- Connection for the instrument to be tested :	swivel G1/2 standard – other optional fittings
- Carter :	steel + high-resistance paint
- Capstan :	Removable for transport - moving axis
- Operating temperature:	18 to 28°C – 64 to 82°F

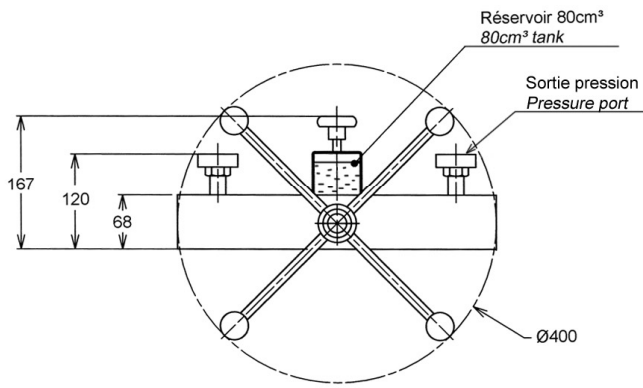
✓ Specific model

- Model :	CEO-700B
- Measuring range :	0 to 700 bar / 0 to 10100 PSI / 0 to 70000 kPa
- Sensitivity :	10% Pmaxi = 0.2 bar / 50% Pmaxi = 0.5 bar / 100% Pmaxi = 1 bar
- Weight comparator:	7.5 kg
- Section of pistons :	1.8 cm ²
- Number of piston :	1
- Material Piston/Cylinder :	P = stainless steel / C = brass
- Piping :	stainless steel

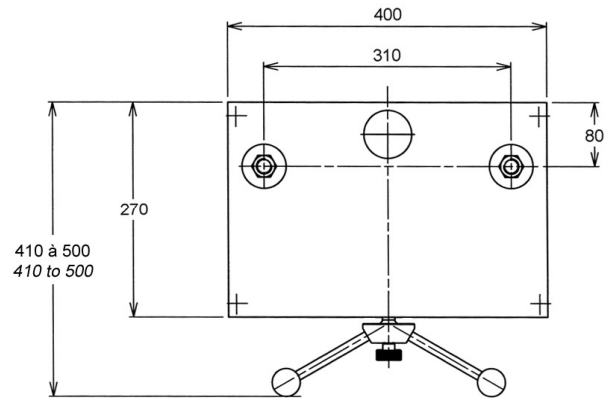
✓ Divers

- **Delivery details** : a manual are provided in English or French with the device + data sheet + Certificate + 0.5 liter of water
- **Maintenance** : Our technical service department is at your disposition for the revision, calibration or after sales service your unit – Calibration device recommended every 2 or 5 years depending on your use.

✓ Dimensions of device



Standard height : 167 mm



Unit used : mm

✓ Options of the generator

- Pump hands with tank (Ref. OP0158)
- metal box for comparator (ref.OP0029)



✓ Accessories (ask us our specific documentation)

- **Connectors up to 1200 bar** : suitcase connectors M (ref.OP0174) – suitcase connectors G (ref.OP0171) - suitcase connectors NPT (ref.OP0172) - suitcase connectors BSP-TR (ref.OP0173) - suitcase with 17 connectors M + G + NPT + BSP-TR (ref.OP0037) – unit connector



- Accessory case (ref.OP0057)
- Setting gauge kit (ref.OP0125)
- Kit drain tank (ref.OP0025)
- Separator all fluids up to 800 bar (ref.OP0023)
- Bench cleaning (ref.OP0062)
- Suitcase with pear + needle up (OP0228)



✓ **Transport and packaging**

- **Packaging** : pack is provide for the shipping

Designation/Reference	Dimension / carton or shipping crate	Weight empty / total weight (packaging + device)
Compressor	450 x 330 x 220 mm	Carton empty 1.5 kg Total weight ±10 kg
packaging SB0004	480 x 480 x 340 mm	Box empty 10 kg Total weight ±20 kg (comparator + packaging)



SB0004

- **Note** : shipping and taxes are your responsibility - EX-Works Vendôme (France)

✓ **Other models available in the range CEO**

(Datasheet is available on request or on our website : www.aremeca-instrumentation.com)

Models	Accuracy	Measuring range		
		Bar or kg/cm ²	PSI	kPa
/	/	/	/	/