



✓ Applications

The range of compressors is designed to test, adjust and calibrate measuring instruments mechanical or electronic pressure by comparison (pressure gauges, pressure transmitters or sensors or switches).

These generators are equipped with a pressure tank visible level, two valves connected by a set of two-stage variable volumes. The capstan can generate the pressure pushing the fluid through the variable volumes to fittings provided for receiving the pressure instruments comparing. These compressors are designed for calibration comparison. They are sturdy and easy to use and have a very high long-term stability.

They have the opportunity to grow in dead weight tester by simply adding a kit comprising : a piezometric and a set of weights.

✓ Technical specifications

| | |
|--|--|
| - Fluid : | Mineral oil or synthetic oil depending on the model colorless compatible with medical or food uses |
| - Tank : | 125 cm ³ |
| - Volume de fluid expelled : | 61 cm ³ |
| - Check/adjust the seat : | leveling bubble and adjustable feet |
| - Connection for the instrument to be tested : | swivel G1/2 standard + M16*150 |
| - Carter : | Light alloy aluminium AG3 + high-resistance paint |
| - Capstan : | Removable for transport |
| - Operating temperature: | 18 to 28°C – 64 to 82°F |

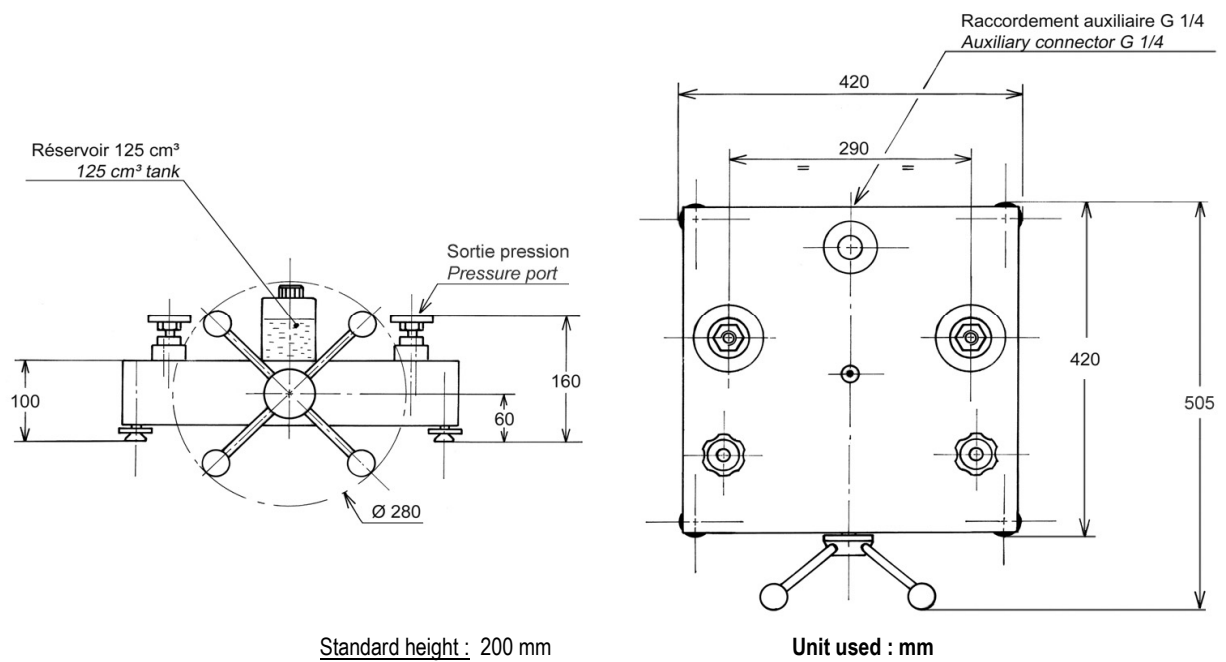
✓ Specific model

| | |
|------------------------------|---|
| - Model : | CH2-7000B |
| - Measuring range : | 0 to 7000 bar / 0 to 101000 PSI / 0 to 700000 kPa |
| - Sensitivity : | 10% Pmaxi = 0.1 bar / 50% Pmaxi = 0.5 bar / 100% Pmaxi = 1 bar |
| - Weight comparator : | 18 kg |
| - Fluid : | Oil Sebacate - fluid density : 915 kg/m ³ |
| - Section of the pistons : | low pressure = 7 cm ² / High pressure = 0.1cm ² |
| - Number of piston : | 2 |
| - Material Piston/Cylinder : | P:BP = aluminum + HP = treated steel / C = treated steel |
| - Piping : | copper+ polyamide + treated steel |

✓ Divers

- **Delivery details** : a manual are provided in English or French with the device + data sheet + Certificate + 0.5 liter of mineral Oil
- **Maintenance** : Our technical service department is at your disposition for the revision, calibration or after sales service your unit – Calibration device recommended every 2 or 5 years depending on your use.

✓ Dimensions of device



✓ Options of the generator

- Kit for dead weight (CH2 -> BH2)
- Pump hands with tank (Ref. OP0158)
- Pressure microajusteur : increases the accuracy (contact us)
- adaptation corrosives fluid (skydroll, brake fluid)
- Oil H15 : 1 liter (ref.OP0013) or 5 liters (ref.OP0010)
- Suitcase for the geenerator (ref.OP0002) :



✓ **Accessories** (ask us our specific documentation)

- **Connectors up to 1200 bar** : suitcase connectors M (ref.OP0174) – suitcase connectors G (ref.OP0171) - suitcase connectors NPT (ref.OP0172) - suitcase connectors BSP-TR (ref.OP0173) - suitcase with 17 connectors M + G + NPT + BSP-TR (ref.OP0037) – unit connector



- Accessory case (ref.OP0057)
- Setting gauge kit (ref.OP0125)
- Kit drain tank (ref.OP0025)
- Separator all fluids up to 800 bar (ref.OP0023)
- Bench cleaning (ref.OP0062)
- Suitcase with pear + needle up (OP0228)



✓ **Transport and packaging**

- **Packaging** : pack is provide for the shipping

| Designation/Reference | Dimension / carton or shipping crate | Weight empty / total weight (packaging + device) |
|----------------------------|--------------------------------------|--|
| Compressor | 470 x 470 x 240 mm | Carton empty 1.5 kg Total weight ±20 kg |
| packaging SB0001 | 480 x 480 x 340 mm | Box empty 10 kg Total weight ±30 kg (comparator + packaging) |



SB0001

- **Note** : shipping and taxes are your responsibility - EX-Works Vendôme (France)

✓ **Other models available in the range CH2**

(Datasheet is available on request or on our website : www.aremeca-instrumentation.com)

| Models | Measuring range | | |
|-----------|---------------------------|------------|-------------|
| | Bar or kg/cm ² | PSI | kPa |
| CH2-4000B | 0 to 4000 | 0 to 58000 | 0 to 400000 |
| CH2-2000B | 0 to 2000 | 0 to 29000 | 0 to 200000 |
| CH2-1250B | 0 to 1250 | 0 to 18000 | 0 to 125000 |
| CH2-125B | 0 to 125 | 0 to 1800 | 0 to 1250 |