

✓ **Applications**

This primary standard Range are designed to test, adjust and calibrate measuring instruments, mechanical or electronic pressure by comparison (pressure gauges, pressure transmitters or sensors or switches)

The dead weight tester consist of a pressure generator, a piston/cylinder unit, a set of weigh identified and of a computer on which is posted : the position of the piston and the value of pressure generated by the dead weight according to the various physical quantities.

The capstan is used to generate a pressure pushing the fluid through the piston. This pressure is balanced by the piston/cylinder assembly which allows to compare the instrument to be calibrated to the pressure values generated by the standard.

This reference instrument are used in factory or calibration laboratory. They are robust and easy to use and have a high long-term stability

✓ **Technical specifications of the range BH4**

- **Calibration :** Our dead weight tester are calibrated under the following conditions of use :
Temperature 20°C - Pressure atmos. 1013.25 hPa - Humidity 50% - acceleration 9.80665 m/s²
In case you don't use it under the conditions mentioned above, it is necessary to recalculate the pressure generated by the dead weight according to the different variables.
- **Fluid :** Mineral or synthetic oil depending on model, colorless, compatible with medical or food uses – tank volume 125 cm³
- **Check/adjust the seat :** leveling bubble and adjustable feet
- **Connecting for the instrument to be tested :** swivel G1/2 standard – other optional fittings
- **Motorization :** training the weight in rotation by electric engine
- **Measure of the temperature :** Precision ± 0.1°C
- **Measure of the atmospheric pressure :** Precision ± 1HPa / range 0 to 1600 mbar / resolution = 1mbar
- **Measure of the hygrometry :** Precision ± 10% / range 0 to 100% / resolution = 1% d'HR
- **Calculator RS232 /mains 220v, 50Hz:**
 - with dynamic display of the position of the piston
 - with automatic display of the pressure generated by the dead weight according to the temperature, the atmospheric pressure and the hygrometry
 - with a connection for the transfer of the data on computer, allowing a total traceability
- **Crankcase :** Light alloy aluminium AG3 + high-resistance paint
- **Capstan :** removable for transport
- **Piston/cylinder :** Single piston treated stainless - **Répeatability** : 2.10⁻⁵ -
Sensitivity : 1.10⁻⁵ - **Precision dead weight** : 8.10⁻⁵
- **Weight :** stainless steel – **Total weight** of the set of weights from 25 kg to 100 kg depending on model – Ergonomic shape of the masses, easy loading of the masses on the bell - **Marking** corresponding with the measuring unit choose (bar, mbar, KPa, PSI etc..)
Gravity : standard (9.80665 m/s²) or local gravity without supplement
- **Operating temperature:** 18 to 28°C – 64 to 82°F

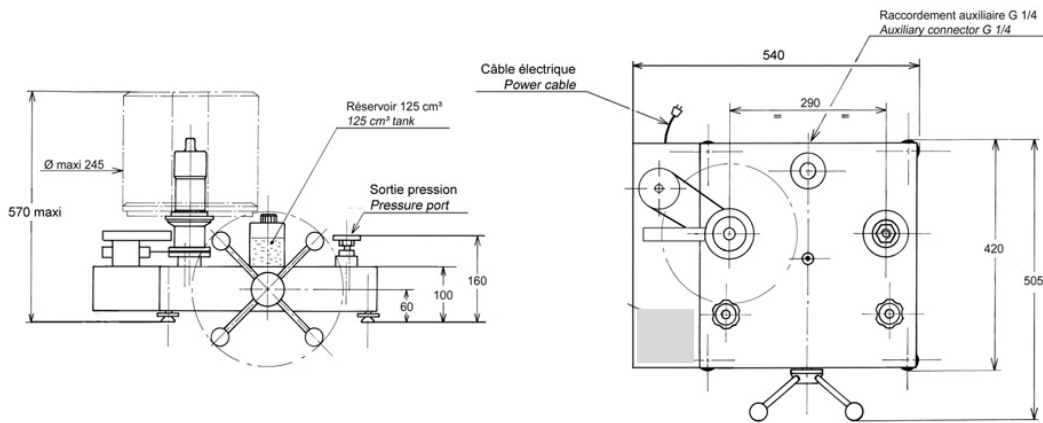
✓ **Technical product specifications**

- **Model :** BH4-2000B - Dead weight tester single piston
- **Measuring range :** 40 to 2000 bar / 600 to 30000 PSI / 4000 to 200000 kPa
- **Uncertainty of the pressure measured by the DWT :** $8.10^{-5} \times P$ (with P in bar)
- **Accuracy :** 0.008% of the scale
- **Weight dead weight without masses :** 24 kg
- **Base generator :** CH2-2000B
- **Fluid :** Oil Sebacate - fluid density : 915 kg/m³
- **Typical cross-section of the piston :** 1.96315 mm²
- **Material Piston/Cylinder :** P = tungsten carbide / C = tungsten carbide
- **Number of piston :** 1

✓ **Various**

- **Delivery details :** a manual are provided in English or French with the device + a factory calibration certificate traceable to the national standards + data sheet +Certificate + 0.5 liter of mineral Oil
- **Maintenance :** Our technical service department is at your disposition for the revision, calibration or service your unit – Calibration device recommended every 2 or 5 years depending on your use.

✓ **Dimensions of device**



Height with standard set of weight : (bar, kPa) : 375 mm (PSI) : 370 mm Unit used : mm

✓ **Standard weight sets** (for other units contact us)

Standard set			
	Pressure (bar)	Total weight	Typical value (g)
Unit : BAR or kg/cm² (Ref. MB0050)	400	3	8000
	360	1	7200
	200	1	4000
	80	2	1600
	40	1	800
	20	1	400
	10	1	200
	8	1	160
	4	1	80
	2	1	40
Initial pressure bell	40	x	800
TOTAL	2004	13	± 40 kg

Optional :
- Set of weights adjustment from 1 mg to 50g with COFRAC certificat (Ref.OP237-200)

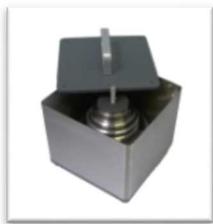
Standard set			
	Pressure (PSI)	Total weight	Typical value (g)
Unit : PSI (Ref. MB0055)	4000	5	5520
	3400	1	4968
	2000	2	2760
	800	2	1104
	400	1	552
	200	1	276
	80	2	110.4
	40	1	55.2
	20	1	27.6
	Initial pressure bell	600	x
TOTAL	29820	16	± 37 kg

Standard set			
	Pressure (kPa)	Total weight	Typical value (g)
Unit : kPa	40000	3	8000
	36000	1	7200
	20000	1	4000
	8000	2	1600
	4000	1	800
	2000	1	400
	1000	1	200
	800	1	160
	400	1	80
	200	1	40
Initial pressure bell	4000		800
TOTAL	200400	13	± 40 kg

✓ Options of the dead weight tester

- adjustment weight set or Standard weight set additional for different units
- Certificate of calibration DAkkS or COFRAC to valid the accuracy up to 5.10-5
- Tin oil : 1 liter, 2 liters or 5 liters of oil

✓ Suitcase for set of weight



transport metal boxes

(OP0101) : 260 x 260 x 310 mm - weight empty : 6 kg

Suitcase for post planning and transportation

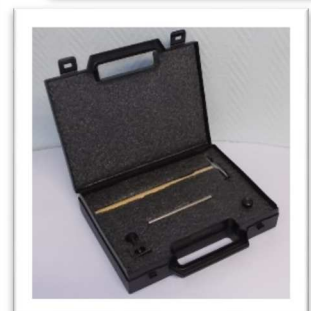
(OPxxxx) large : 355 x 505 x 310 mm - weight empty : 13 kg
+ (OPxxxx) small : 290 x 250 x 310 mm - weight empty : 5 kg

- Suitcase for the dead weight (ref.OP0002) :



✓ Accessories (Ask for our specific documentation)

- Accessory case (ref.OP0057)
- Setting gauge kit (ref.OP0125)
- Kit drain tank (ref.OP0025)
- Separator all fluids up to 800 bar (ref.OP0023)
- Bench cleaning (ref.OP0062)
- Suitcase with pear + needle up (OP0228)



- **Connectors up to 1200 bar** : suitcase connectors M (ref.OP0174) – suitcase connectors G (ref.OP0171) - suitcase connectors NPT (ref.OP0172) - suitcase connectors BSP-TR (ref.OP0173) - suitcase with 17 connectors M + G + NPT + BSP-TR (ref.OP0037) – unit connector
- **Connectors 2000 bar** : suitcase connectors HP (ref.OP0220) with M16x150 + M20x150 + 9/16UNF-18 M/M + G1/2 + 9/16UNF-18 M/F



✓ **Transport and packaging**

- **Packaging** : woodpack is provided for the shipping

Designation/Reference	Dimension / carton or shipping crate	Weight empty / total weight (packaging + materiel)
Dead weight without weight	470 x 470 x 240 mm	Carton empty 1.5 kg Total weight ±26 kg
Standard weight set	300 x 300 x 170 mm	Carton empty 1.5 kg Total weight ±42 kg
Wood packaging SB0003	980 x 700 x 500 mm	Suitcase empty 20 kg Total weight ±88 kg (dead weight + weight set + packaging)



SB0003

- **Note** : shipping is extra.

✓ **Other models available in the range BH4**

(Datasheet is available on request or on our website : www.aremeca-instrumentation.com)

Models single piston

Models	Accuracy	Measuring range		
		Bar or kg/cm ²	PSI	kPa
BH4-5000B	10 ⁻⁵	40 to 5000	600 to 72500	4000 to 500000
BH4-4000B	10 ⁻⁵	40 to 4000	600 to 60000	4000 to 400000
BH4-3000B	10 ⁻⁵	40 to 3000	600 to 44000	4000 to 300000
BH4-2500B	10 ⁻⁵	40 to 2500	600 to 36200	4000 to 250000
BH4-1200B sp	10 ⁻⁵	2 to 1200	30 to 16000	200 to 120000
BH4-600B sp	10 ⁻⁵	2 to 600	30 to 10000	200 to 60000
BH4-300B sp	10 ⁻⁵	1 to 300	15 to 4000	100 to 30000
BH4-120B	10 ⁻⁵	0.5 to 120	10 to 1740	50 to 12000
BH4-60B	10 ⁻⁵	0.2 to 60	3 to 800	20 to 6000
BH4-30B	10 ⁻⁵	1 to 30	10 to 400	100 to 3000