



✓ **Applications**

Self compressor with a variable volume system, can work in air over the entire measuring vacuum (-0.9 bar) 20 bars without having to connect to a source of pressure. The position of the piston is visible through a slider

This device is ideal for maintenance operations and on-site verification, because it is integrated into a briefcase, lightweight and durable transport.

You can connect most measuring devices (pressure gauge, transmitter etc..) Through a system of interchangeable connection.

✓ **Technical specifications of the range CAA**

- Fluid :	clean and dry air type compressed air or azote
- Volume de fluid expelled :	340 cm ³
- Connecting test :	Standard connector G1/2
- Connecting reference instrument :	Standard connector G1/2
- Can supply air :	connector G1/4 to connect to a pressure source useful for devices with high volume Death (beyond 200mm3) - indicator inlet pressure
- Carter :	light alloy aluminum AG3 + high resistance paint
- Position piston :	Visualization with an integrated cursor
- Capstan :	removable for transport
- Operating temperature:	18 to 28°C – 64 to 82°F

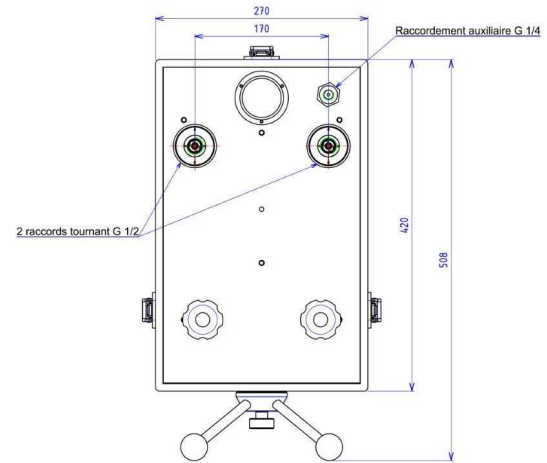
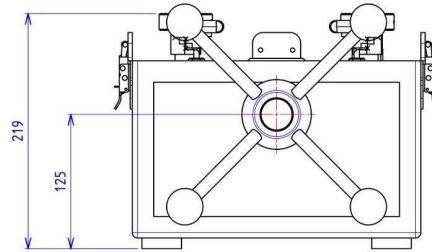
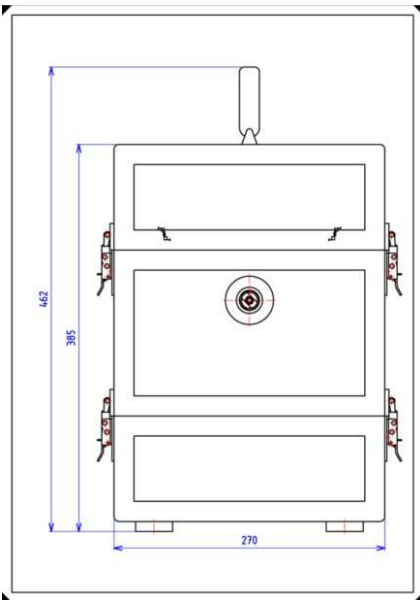
✓ **Technical product specifications**

- Model :	CAA - 20B
- Measuring range :	-0.9 à 20 bar / -13 à 290 PSI /
- Sensitivity :	10% Pmaxi = 0.0002 bar / 50% Pmaxi = 0.0005 bar / 100% Pmaxi = 0.001 bar
- Weight :	12 kg
- Typical cross-section of the piston :	low pressure = 31 cm ²
- Number of piston :	1
- Material Piston/Cylinder :	P = carbide tungsten / C = treated steel
- Piping :	polyamide

✓ **Divers**

- **Delivery details** : a manual are provided in English or French with the device + data sheet + Certificate
- **Maintenance** : Our technical service department is at your disposition for the revision, calibration or after sales service your unit – Calibration device recommended every 2 or 5 years depending on your use.

✓ **Dimensions of device**



Unit used : mm

✓ **Options**

- Reference Standard (contact us)
- Degreasing oxygen (contact us)

✓ **Transport and packaging**

- **Packaging** : pack is provide for the shipping

Designation/Reference	Dimension / carton or shipping crate	Weight empty / total weight (packaging + device)
Comparator closed	270 x 420 x 300 mm	Carton empty 1.5 kg total weight ±13 kg
comparator operational	270 x 220 x 510 mm	total weight ±8.6kg
packaging SB0005	480 x 480 x 570 mm	Box empty 10 kg total weight ±23 kg (comparator + packaging)



SB0005

- **Note** : shipping and taxes are your responsibility - EX-Works Vendôme (France)

✓ **Other models available in the range CA**

(Datasheet is available on request)

Models	Measuring range		
	Bar or kg/cm ²	PSI	kPa
CAA-200B			
CAO-600B	To come...		
CAH-1000B			

✓ **Accessories** (Ask for our specific documentation)

- Case connectors M (ref.OP0174) – Case connectors G (ref.OP0171) - Case connectors NPT (ref.OP0172) - Case connectors BSP-TR (ref.OP0173) - Case with 17 connectors M + G + NPT + BSP-TR (ref.OP0037) – unit connector (consult us)
- Accessory case (ref.OP0057)
- Setting gauge kit (ref.OP0125)
- Bench cleaning (ref.OP0062)